

CE FDA

sRoom

Revolutionary solution
for instant patient isolation

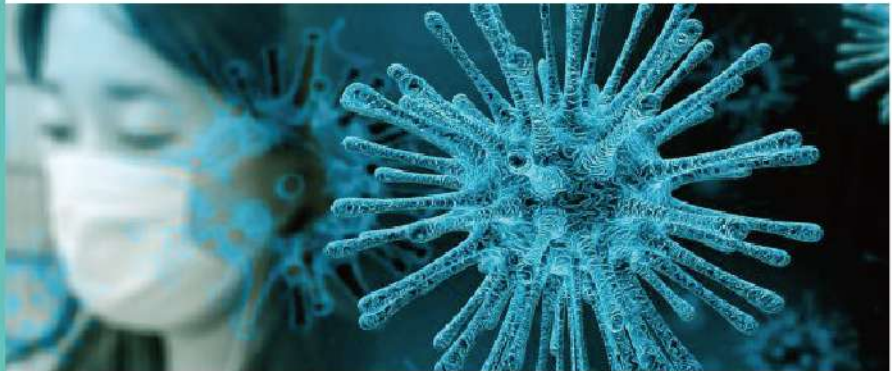
JUDcare

Background



During the last several decades, emerging respiratory viruses, such as COVID-19, SARS, H5N1 avian influenza, and pandemic (H1N1) 2009 represent threats to global health security.

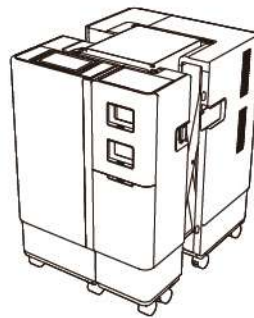
Global epidemic spreading



According to many discoveries and CDC's recommendations, early quarantine by placing patients in a single negative-pressure isolation room is an effective and efficient measure to minimize the transmission of infectious disease, thus reduce incidence and mortality during the pandemic.

However, the shortage of single negative pressure isolation room is a worldwide issue. The reason for this is most likely that building a traditional negative pressure isolation room is complicated, expensive, and time-consuming.

Aiming to quick increase surge capacity in patient isolation and saving more lives during a large-scale airborne infectious disease outbreak, Judcare created a revolutionary temporary patient isolation solution - sRoom.



General Introduction



sRoom is a portable negative pressure isolation room specifically designed for instant isolation of patient with suspected or identified infectious diseases that spread via small particles (such as COVID-19).

Different from existing negative pressure isolation room, it can be quickly deployed within 10 minutes and used in almost every temporary isolation space, protecting patients and staff from contracting and transmitting highly infectious diseases.

Benefitting from its powerful function and superb design, sRoom is an ideal choice for building your confidence in coping with the threat of pandemics.

sRoom >>>



Instant Patient Isolation

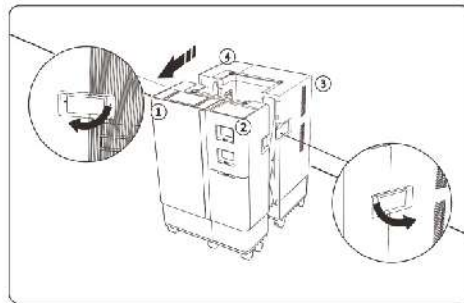
 10mins



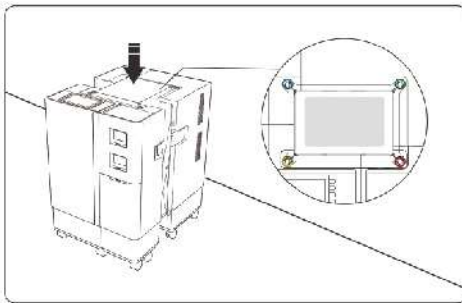
Fast & Easy to Deploy

It can be set up by one person in less than 10 minutes via the following sequence of 5 steps, which make it an ideal solution for instant patient isolation.

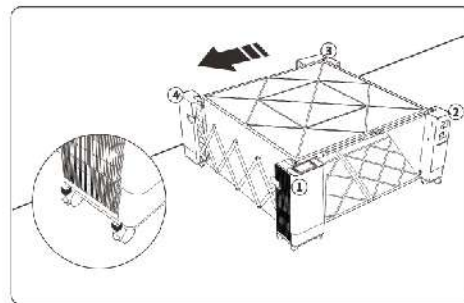
1 person <10min



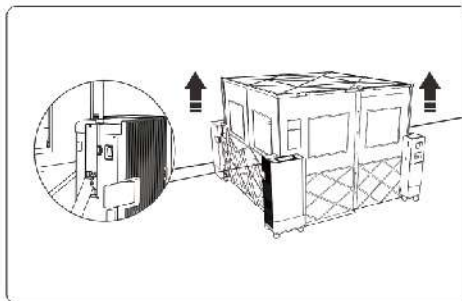
01 Position cart, and unfasten the lock catch



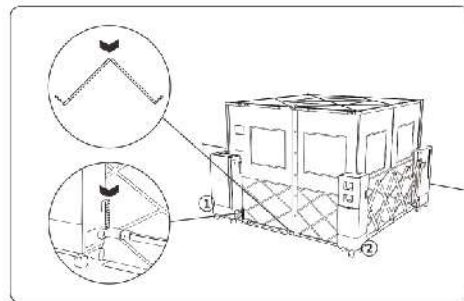
02 Load canopy



03 Expand, and lock casters



04 After power-on, press start button and activate electrical lifting lever



05 Fix slide rail

Applications



Featuring compact size and mobility, it is suitable for any temporary isolation space.

Great Mobility

Compact



01

Hospital Rooms

ER

Respiratory Medicine

ICU

NICU

Stomatology

02

Other Isolation Spaces

Train Station

Cruise Ships

University

Airport

Jail

Nursing Home



Sufficient Infection Control



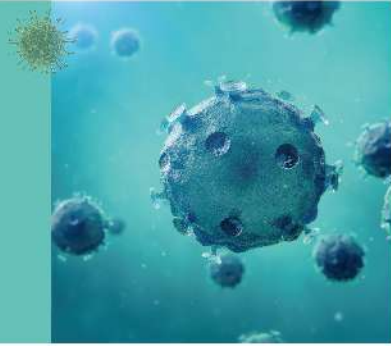
Prevent the Spreading of Various Pathogens

- **Respiratory pathogens:**

SARS-CoV-2, SARS-CoV, TB, influenza virus, diphtheria, mumps virus, pertussis, meningococcal, etc.

- **Multi-drug resistant organism, MDRO:**

Methicillin-resistant *Staphylococcus aureus* (MRSA) 、 Vancomycin-resistant Enterococci (VRE) 、 Extended spectrum B-lactamases (ESBLs) 、 Carbapenem-resistant Enterobacteriaceae (CRE) 、 Carbapenem-resistant *Acinetobacter baumannii* (CRAB) 、 multiple-drug/pan-drug resistant *P.aeruginosa* (MDR/P-DR-PA) etc.



Enable You Fast Achieving Infection Control Goal



01 Single patient room

It not only protects patient's privacy, but also helps reduce patients cross-infection.



02 First rate enclosure material

The polymer flame retardant enclosure material maximizes seal performance of the isolation room, while minimizes the chance for exposures.



03 Auto-open door

Auto-open door helps you avoid contact with the door when entering or exiting the isolation room, reducing the risk of transmission of infectious agents.



04 Negative pressure

Pressure difference keeps contaminated air from escaping the room.



05 Recommended ventilation rate

12 ACH (the number of air change per hour) enables fast removal of infectious particles.



06 Appropriate airflow direction

The "clean to dirty" airflow helps provide containment of infectious particles.



07 HEPA filter


With a HEPA filter, it effectively captures pathogens, creating the safest possible air exhaust and supply.



08 Emergency backup power


It helps maintain perfect operation in the event of a power failure.

Better User-experience




Mobile PPE Station

Mobile PPE station facilitates PPE or clothing donning or removing prior to entry/exit of the isolation room.




Touch Screen

With full touch screen and intuitive UI, you can quickly access to the status information including pressure difference and temperature of the isolation room.



Visual Indicator

Visual indicator enables staff to fast identify the classification of patient isolation, and to be notified immediately when risk occurs.



20-27°C

The self-contained temperature control system with flexible adjustment from 20°C to 27°C , ensuring a comfortable medical environment.

sRoom Configuration Table



Model	sRoom-TC1N1 (Souc) Standard configuration	sRoom-TC1N2 (Souc) custom made	sRoom-TC1N1 (ouc) custom made	sRoom-TC1N2 (ouc) custom made	sRoom-TC0N1 (ouc) custom made
Voltage / Frequency	AC 220-230V 50Hz	AC 220-230V 50Hz	AC 220-230V 50Hz	AC 220-230V 50Hz	AC 220-230V 50Hz
Color	White	Green	White	Green	White
Differential Pressure Control System	●	●	●	●	●
Fresh Air Ventilation System	●	●	●	●	●
Fresh Air System	●	●	●	●	●
Fresh Air Filter Screens	F7+H11	F7+H11	F7+H11	F7+H11	F7+H11
Exhaust Air Purification System	●	●	●	●	●
Exhaust Air Filter Screens	H13 Sterilization Filter	H13 Sterilization Filter	H13 Sterilization Filter	H13 Sterilization Filter	H13 Sterilization Filter
Hand-contactless Automatic Control Door	Left ●/Right –	Left ●/Right –	Left ●/Right –	Left ●/Right –	Left ●/Right –
Temperature Control System-Cooling Mode	●	●	●	●	–
Temperature Control System-Heating Mode	●	●	●	●	–
Emergency Power Management System	●	●	–	–	–
Dual-runner Automatic Switching System	●	●	●	●	●
Central Control Screen	●	●	●	●	●
Central Control Screen Size	10.1-inch	10.1-inch	10.1-inch	10.1-inch	10.1-inch
Failure Warning System	●	●	●	●	●
Built-in Socket	●	●	●	●	●
Locker	●	●	●	●	●

Note: ● Standard ○ Optional – Without

About Judcare

Judcare is one of the leading high-tech enterprise in the field of Imaging Medicine and Hospital Information System solutions. Headquartered in Shenzhen China, Judcare possesses a complete R&D, marketing, and service network and has more than 1,400 employees.

Holding its mission of "empower healthcare with technology and commerce", Judcare dedicated in technological innovation to help release the full potential of healthcare facilities.

Today, our products and services can be found in more than 3,000 hospitals in 30 provinces across China and over 35 countries & regions around the world.

Shenzhen Juding Medical Co.,Ltd

E-Mail: judcare@clearofchina.com

Add: Tianming Tech Building, 8 Wushitou Rd., High-New Tech Campus North, Nanshan District, Shenzhen City, Guangdong Province, 518057, P.R.China

PN: 20210112